

Low ON-Resistance, Low Voltage, SPDT Analog Switch

FEATURES

- -3dB Bandwidth: 120MHz
- High Speed, Typically 29ns
- Supply Range: +1.8V to +5.5V
- Low ON-State Resistance, 3.0Ω(TYP)
- Break-Before-Make Switching
- Rail-to-Rail Operation
- TTL/CMOS Compatible
- *Micro*SIZE PACKAGE: SOT363(SC70-6)
- Extended Industrial Temperature Range: -40°C to +125°C

APPLICATIONS

- Wearable Devices
- Battery-Operated Equipment
- Signal Gating, Chopping, Modulation or Demodulation (Modem)
- Portable Computing
- Cell Phones

FUNCTION TABLE

LOGIC	NO	NC
0	OFF	ON
1	ON	OFF

PIN DESCRIPTION

NAME	PIN	FUNCTION
IN	1	Digital Control Pin
V+	2	Power Supply
GND	3	Ground
NC	4	Normally-Closed Terminal
COM	5	Common Terminal
NO	6	Normally-Open Terminal

DESCRIPTION

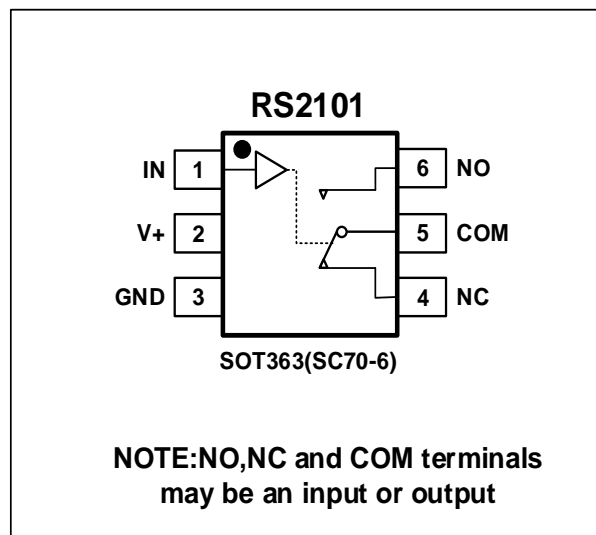
The RS2101 is a low on-resistance, single-pole double-throw (SPDT) analog switch that is designed to operate from 1.8 V to 5.5 V.

The RS2101 device can handle both analog and digital signals. It features fast switching speeds ($t_{ON} = 29ns$, $t_{OFF} = 17ns$) and low on-resistance (3.0Ω TYP).

These features make this device suitable for a wide variety of portable applications including cell phones, audio devices, and instrumentation.

Applications include signal gating, chopping, modulation or demodulation (modem), and signal multiplexing for analog-to-digital and digital-to-analog conversion systems.

PIN CONFIGURATIONS



ABSOLUTE MAXIMUM RATINGS (1)

V+, IN to GND.....	-0.3V to 6.0V
Analog, Digital Voltage Range (2)	- 0.3 to (V+) + 0.3V
Continuous Current NO, NC, or COM.....	±300mA
Peak Current NO, NC, or COM.....	±500mA
Storage Temperature	-65°C to +150°C
Operating Temperature	-40°C to +125°C
Junction Temperature.....	150°C
Package Thermal Resistance @ TA = +25°C	
SOT363(SC70-6).....	250°C/W
Lead Temperature (Soldering, 10s)	260°C
ESD Susceptibility	
HBM	3000V
MM	200V



ESD SENSITIVITY CAUTION

ESD damage can range from subtle performance degradation to complete device failure. Precision integrated circuits may be more susceptible to damage because very small parametric changes could cause the device not to meet its published specifications.

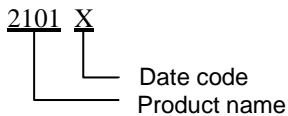
- (1) Stresses above these ratings may cause permanent damage. Exposure to absolute maximum conditions for extended periods may degrade device reliability. These are stress ratings only, and functional operation of the device at these or any other conditions beyond those specified is not implied.
- (2) Input terminals are diode-clamped to the power-supply rails. Input signals that can swing more than 0.3V beyond the supply rails should be current-limited to 10mA or less.

PACKAGE/ORDERING INFORMATION

PRODUCT	ORDERING NUMBER	TEMPERATURE RANGE	PACKAGE LEAD	PACKAGE MARKING	PACKAGE OPTION
RS2101	RS2101XC6	-40°C~125°C	SOT363 (SC70-6)	2101X	Tape and Reel,3000

NOTE: X = Date Code

MARKING INFORMATION



ELECTRICAL CHARACTERISTICSV+ = 5.0 V, T_A = -40°C to 125°C (unless otherwise noted)

PARAMETER	SYMBOL	CONDITIONS	V+	T _A	MIN	TYP	MAX	UNITS
ANALOG SWITCH								
Analog Signal Range	V _{NO} , V _{NC} , V _{COM}			FULL	0		V+	V
On-Resistance	R _{ON}	0 ≤ (V _{NO} or V _{NC}) ≤ V+, I _{COM} = -10mA, Switch ON, See Figure 1	5V	+25°C		3.0	4.0	Ω
				FULL			5.0	Ω
			3.3V	+25°C		5.5	7.0	Ω
				FULL			7.5	Ω
On-Resistance Match Between Channels	ΔR _{ON}	0 ≤ (V _{NO} or V _{NC}) ≤ V+, I _{COM} = -10mA, Switch ON, See Figure 1	5V	+25°C		0.1	0.8	Ω
				FULL			0.9	Ω
			3.3V	+25°C		0.1	0.8	Ω
				FULL			0.9	Ω
On-Resistance Flatness	R _{FLAT(ON)}	0 ≤ (V _{NO} or V _{NC}) ≤ V+, I _{COM} = -10mA, Switch ON, See Figure 1	5V	+25°C		0.7	0.85	Ω
				FULL			0.95	Ω
			3.3V	+25°C		2.5	3.0	Ω
				FULL			3.2	Ω
NC,NO OFF Leakage Current	I _{NC(OFF)} , I _{NO(OFF)}	V _{NO} or V _{NC} = 0.3V, V+/2 V _{COM} = V+/2, 0.3V See Figure 2	1.8 to 5.5V	FULL			1	μA
NC,NO,COM ON Leakage Current	I _{NC(ON)} , I _{NO(ON)} , I _{COM(ON)}	V _{NO} or V _{NC} = 0.3V, Open V _{COM} = Open, 0.3V See Figure 2	1.8 to 5.5V	FULL			1	μA
DIGITAL CONTROL INPUTS⁽¹⁾								
Input High Voltage	V _{INH}		5V	FULL	1.5			V
			3.3V	FULL	1.3			V
Input Low Voltage	V _{INL}		5V	FULL			0.6	V
			3.3V	FULL			0.5	V
Input Leakage Current	I _{IN}	V _{IN} = V _{IO} or 0	1.8 to 5.5V	FULL			1	μA

(1) All unused digital inputs of the device must be held at V_{IO} or GND to ensure proper device operation.

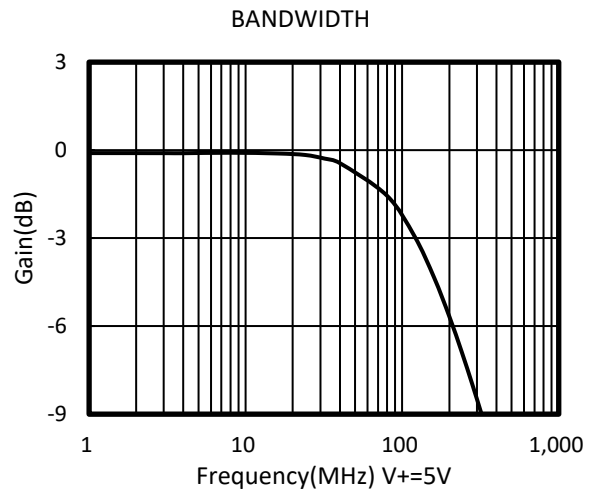
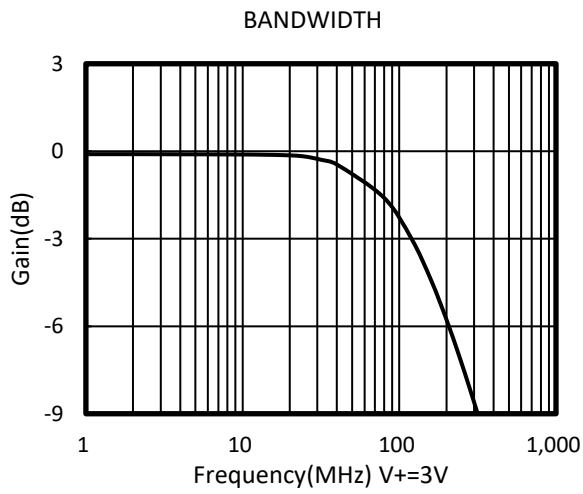
ELECTRICAL CHARACTERISTICS (continued)

V+ = 5.0 V, TEMP= -40°C to 125°C (unless otherwise noted)

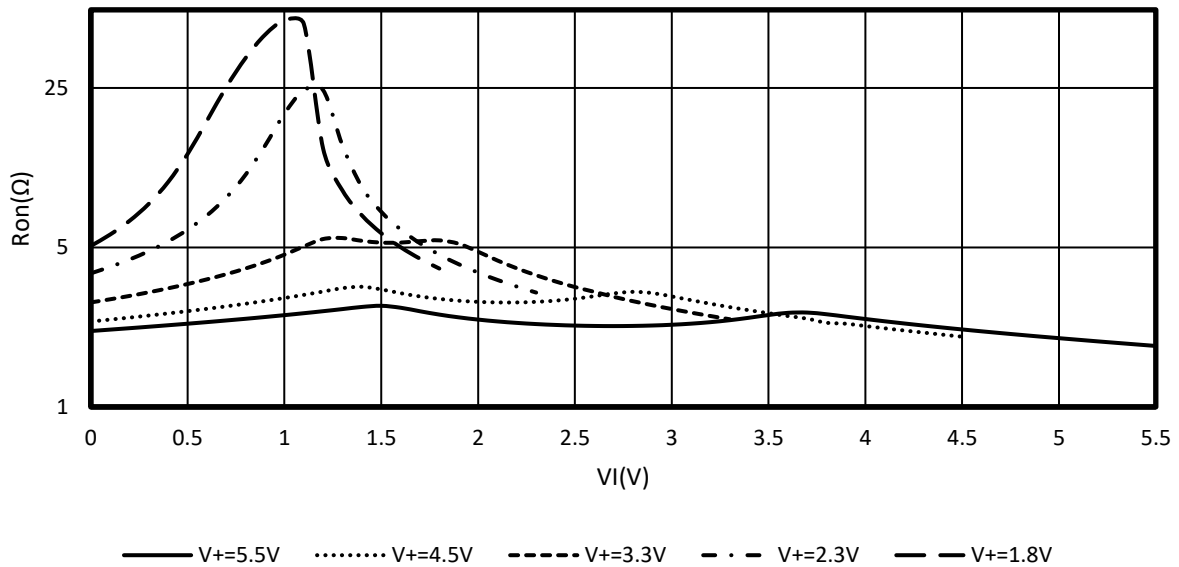
PARAMETER	SYMBOL	CONDITIONS	V+	TEMP	MIN	TYP	MAX	UNITS
DYNAMIC CHARACTERISTICS								
Turn-On Time	t _{ON}	V _{COM} = V+, R _L = 300Ω, C _L = 35pF, See Figure 5	5V	+25°C		29		ns
			3.3V			33		
Turn-Off Time	t _{OFF}	V _{COM} = V+, R _L = 300Ω, C _L = 35pF, See Figure 5	5V	+25°C		17		ns
			3.3V			18		
Break-Before-Make Time Delay	t _{BBM}	V _{NO1} = V _{NC1} = V _{NO2} = V _{NC2} = 3V, R _L = 300Ω, C _L = 35pF, See Figure 6	5V	+25°C		10		ns
			3.3V			11		
Off Isolation	O _{ISO}	R _L = 50Ω, Switch OFF, See Figure 8	f = 10MHz	+25°C		-43		dB
			f = 1MHz			-67		dB
-3dB Bandwidth	BW	Switch ON, R _L = 50Ω See Figure 7		+25°C		120		MHz
NC,NO OFF Capacitance	C _{NC(OFF)} , C _{NO(OFF)}	V _{NC} or V _{NO} =V+/2 or GND, Switch OFF See Figure 4		+25°C		15		pF
NC,NO,COM ON Capacitance	C _{NC(ON)} , C _{NO(ON)} , C _{COM(ON)}	V _{NC} or V _{NO} =V+/2 or GND, Switch ON See Figure 4		+25°C		50		pF
POWER REQUIREMENTS								
Power Supply Range	V+			FULL	1.8		5.5	V
Power Supply Current	I+	V _{IN} = GND or V+	5.5V	FULL			1	μA

TYPICAL CHARACTERISTICS

V+ = 5.0 V, TA= -40°C to 125°C (unless otherwise noted)



Typical ron as a Function of Input Voltage (VI) for VI = 0 to V+



Parameter Measurement Information

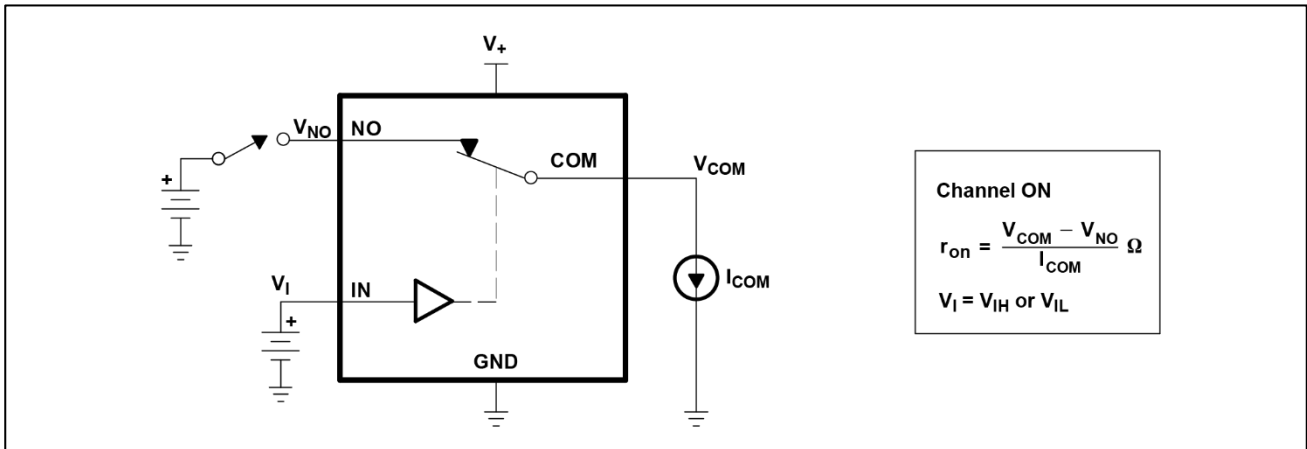


Figure 1.ON-State Resistance (r_{on})

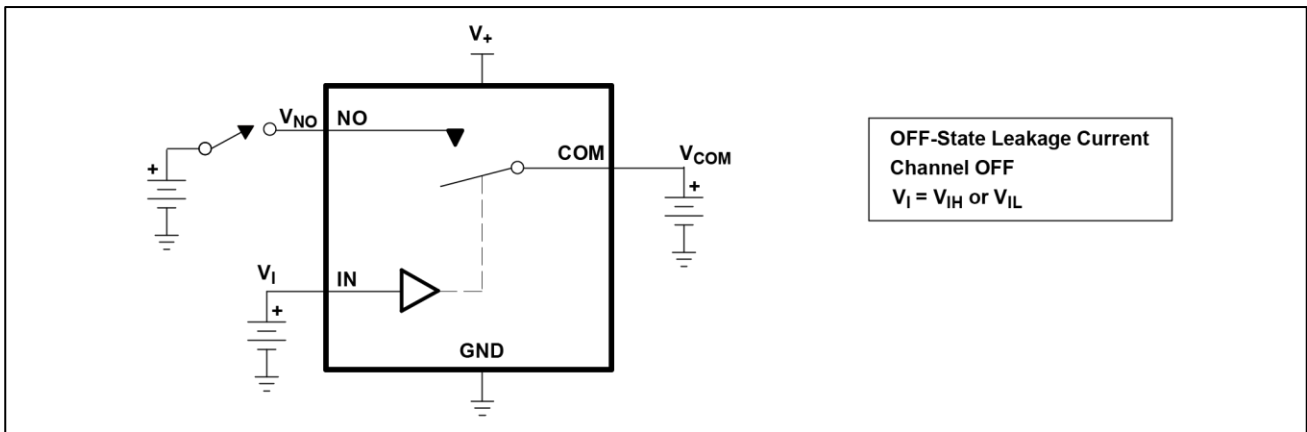


Figure 2.OFF-State Leakage Current ($I_{COM(OFF)}$, $I_{NO(OFF)}$)

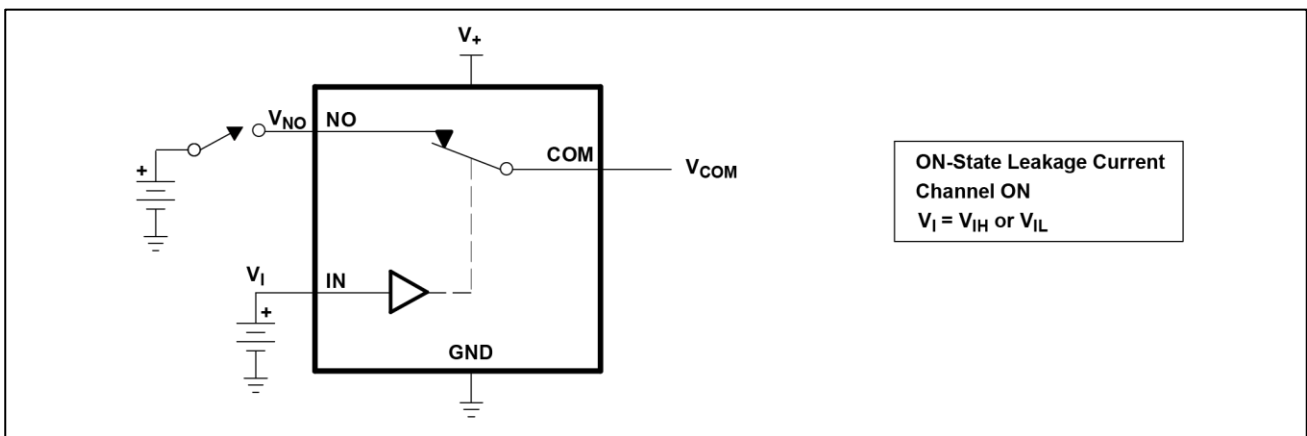


Figure 3.ON-State Leakage Current ($I_{COM(ON)}$, $I_{NO(ON)}$)

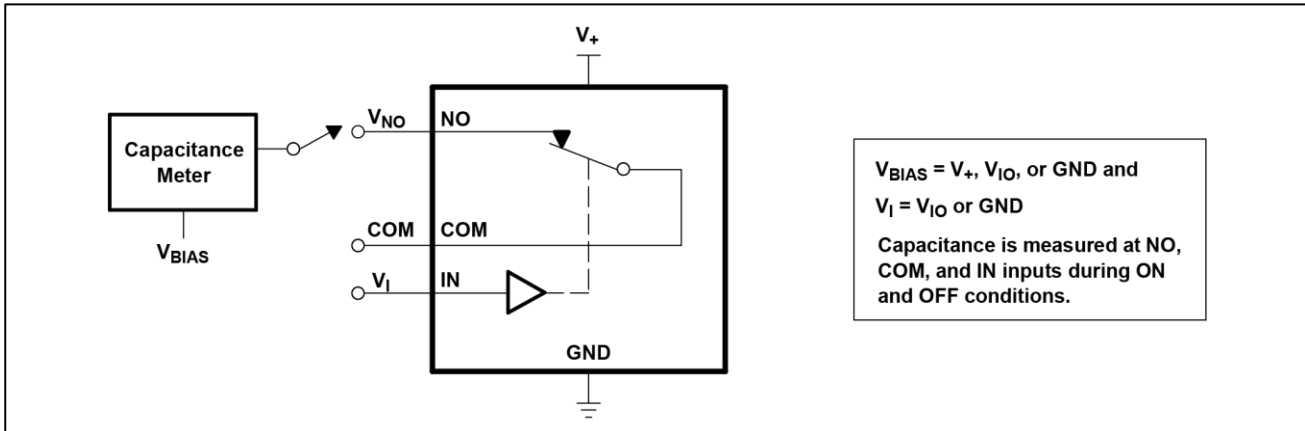


Figure 4. Capacitance (C_I , $C_{COM(OFF)}$, $C_{COM(ON)}$, $C_{NO(OFF)}$, $C_{NO(ON)}$)

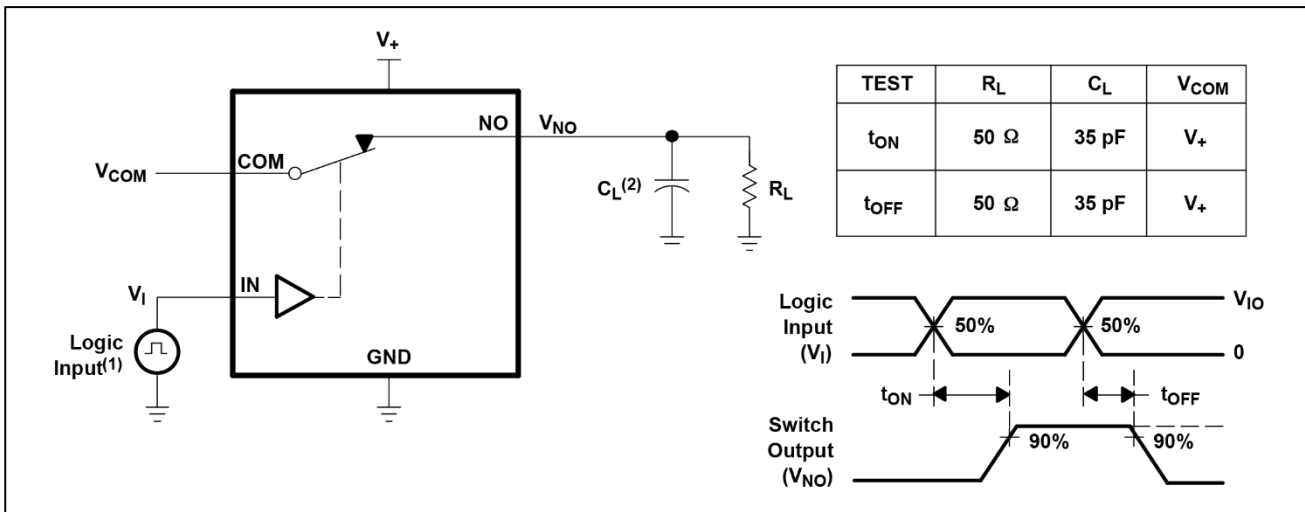


Figure 5. Turn-On (t_{ON}) and Turn-Off Time (t_{OFF})

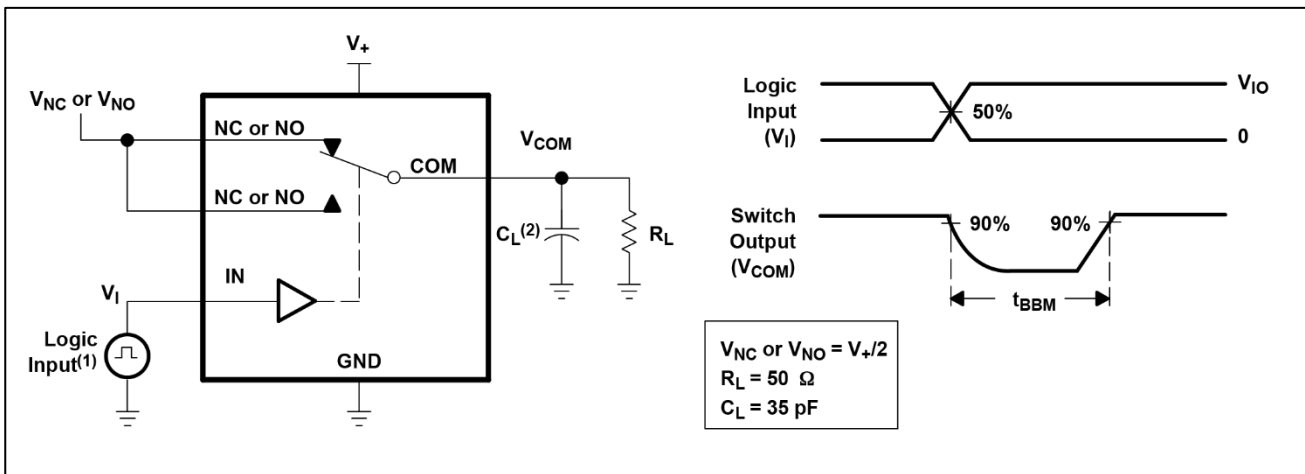


Figure 6. Break-Before-Make Time (t_{BBM})

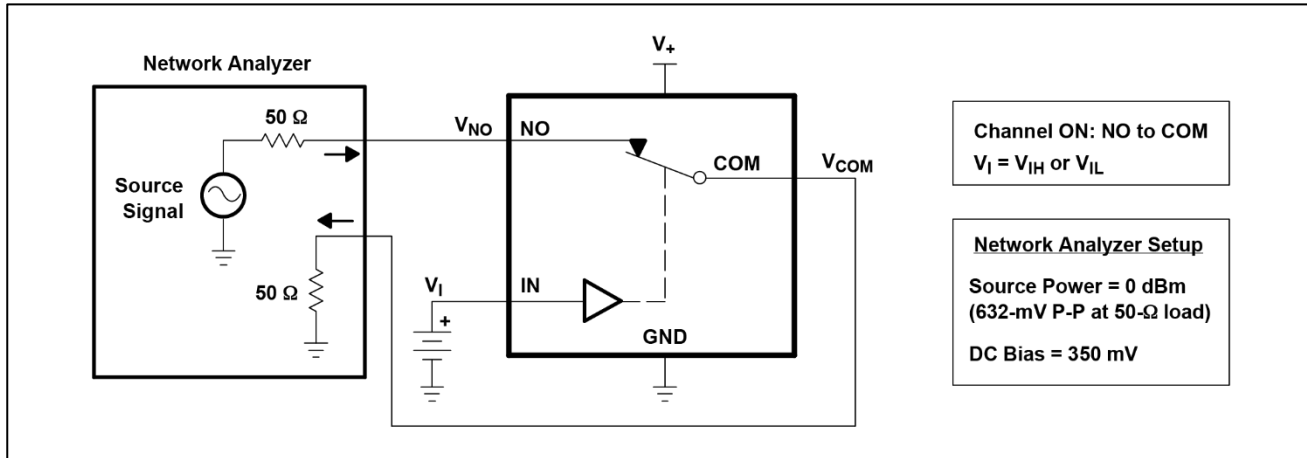


Figure 7. Bandwidth (BW)

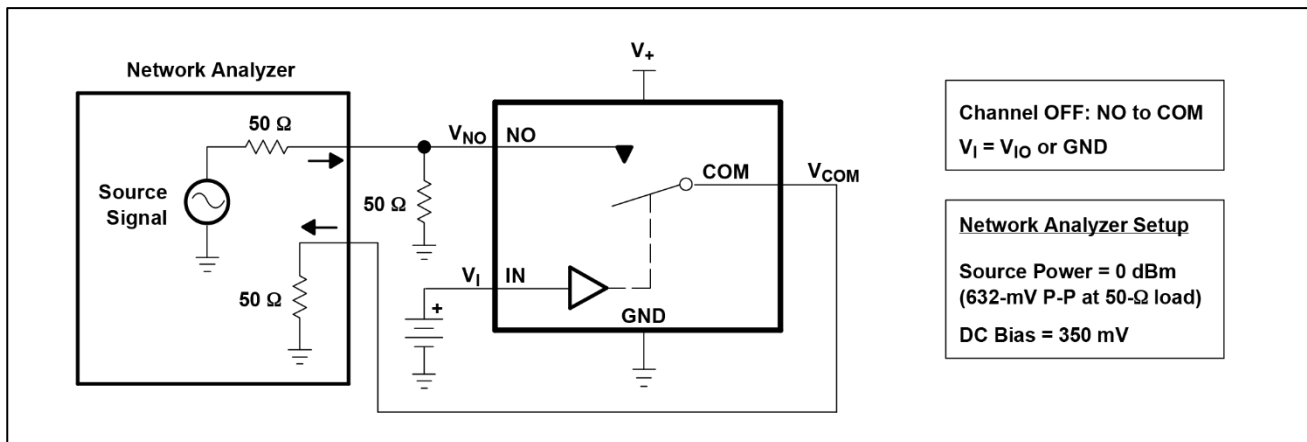


Figure 8. OFF Isolation (O_{Iso})

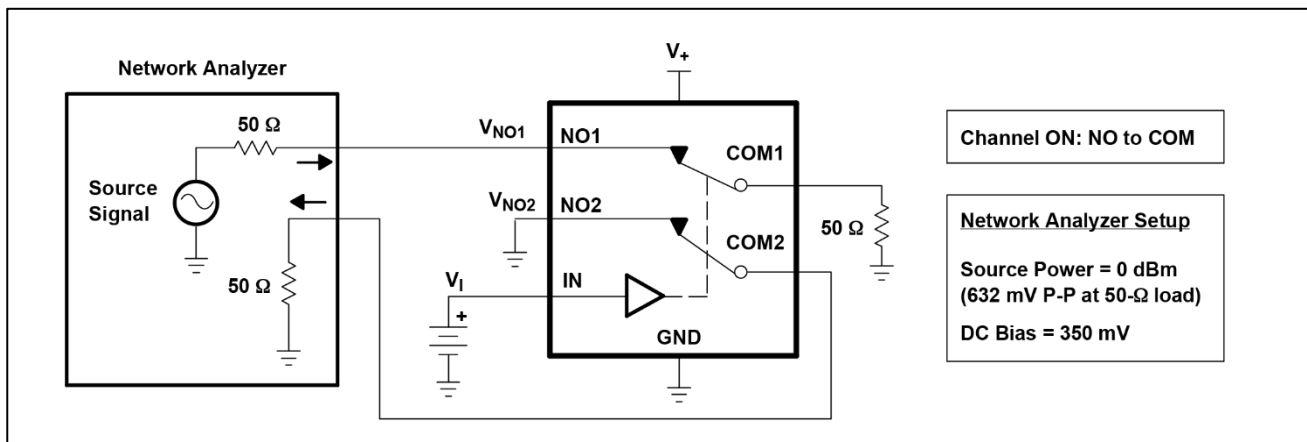


Figure 9. Crosstalk (X_{TALK})

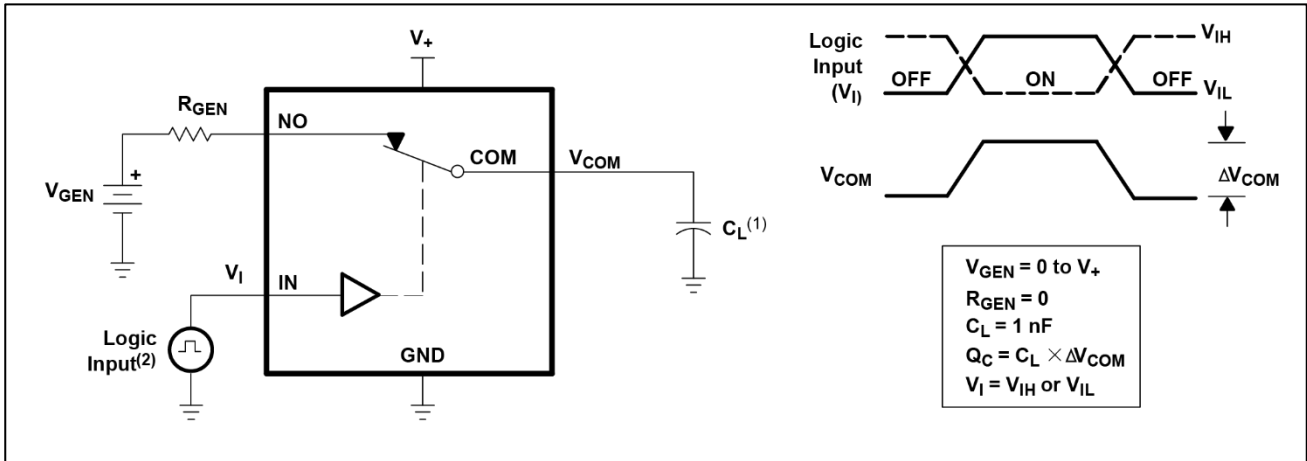


Figure 10. Charge Injection (Q_C)

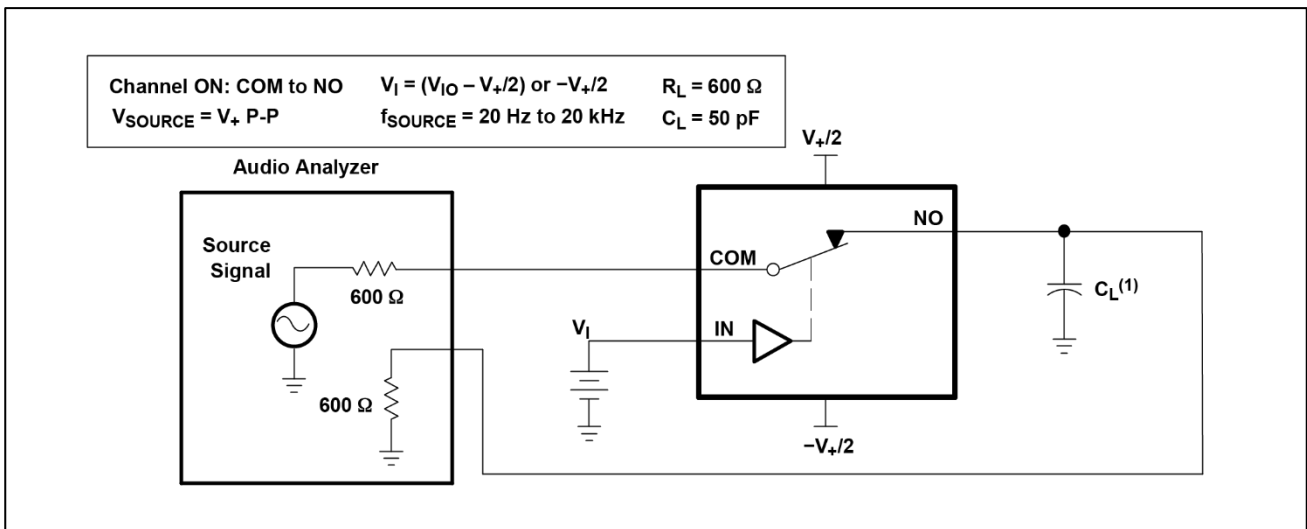
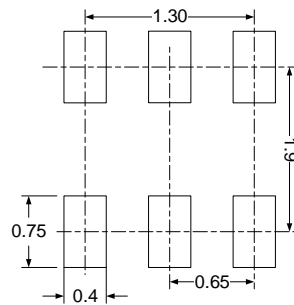
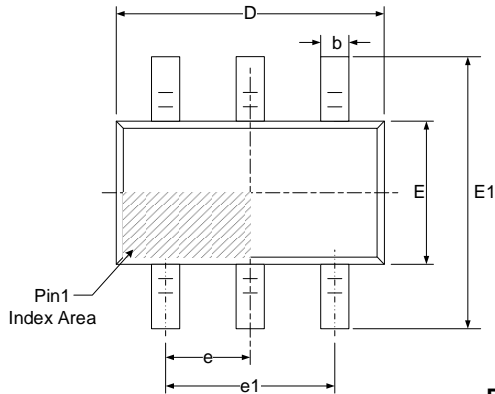


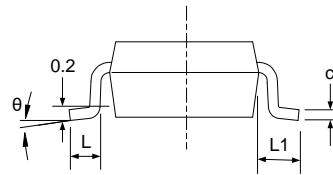
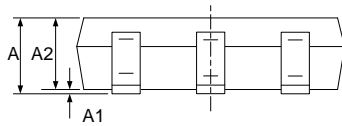
Figure 11. Total Harmonic Distortion (THD)

PACKAGE OUTLINE DIMENSIONS

SOT363(SC70-6)



RECOMMENDED LAND PATTERN (Unit: mm)



Symbol	Dimensions In Millimeters		Dimensions In Inches	
	Min	Max	Min	Max
A	0.900	1.100	0.035	0.043
A1	0.000	0.100	0.000	0.004
A2	0.900	1.000	0.035	0.039
b	0.150	0.350	0.006	0.014
c	0.080	0.150	0.003	0.006
D	2.000	2.200	0.079	0.087
E	1.150	1.350	0.045	0.053
E1	2.150	2.450	0.085	0.096
e	0.650(BSC)		0.026(BSC)	
e1	1.300(BSC)		0.051(BSC)	
L	0.260	0.460	0.010	0.018
L1	0.525		0.021	
θ	0°	8°	0°	8°

全球销售及服务网点联系信息：

深圳市英锐恩科技有限公司

ENROO-TECH (SHENZHEN) CO.,LTD

中国·深圳市龙岗区环城南路坂田国际中心C2栋8楼815

Enroo-Tech Technologies CO., Limited

香港新界葵涌工业街24-28号威信物流中心13楼A室

联系电话：86-755-82543411,83167411

联系传真：86-755-82543511

全国热线：4007-888-234

联系邮件：enroo@enroo.com

公司网站：<http://www.enroo.com>

企业官网二维码



企业公众号二维码

